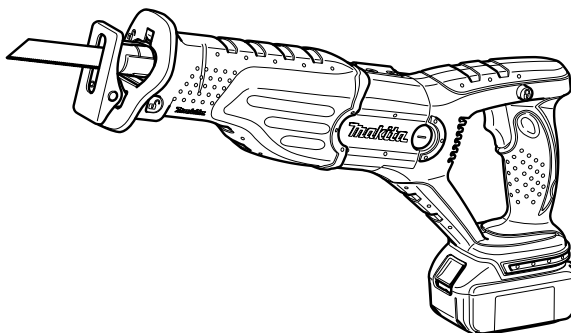




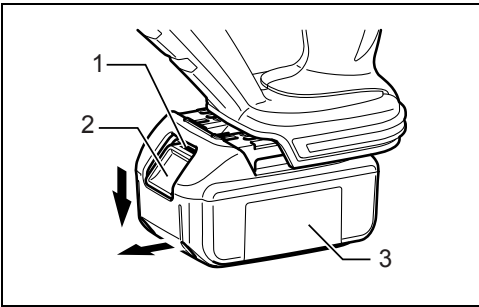
<b>GB</b>	<b>Cordless Recipro Saw</b>	<b>Instruction manual</b>
<b>F</b>	<b>Scie récipro sans fil</b>	<b>Manuel d'instructions</b>
<b>D</b>	<b>Akku-Reciprosäge</b>	<b>Betriebsanleitung</b>
<b>I</b>	<b>Seghetto alternativo a batteria</b>	<b>Istruzioni per l'uso</b>
<b>NL</b>	<b>Accu-reciprozaag</b>	<b>Gebruiksaanwijzing</b>
<b>E</b>	<b>Sierra de sable inalámbrica</b>	<b>Manual de instrucciones</b>
<b>P</b>	<b>Serra de sabre sem fios</b>	<b>Manual de instruções</b>
<b>DK</b>	<b>Ledningsfri stiksav</b>	<b>Brugsanvisning</b>
<b>GR</b>	<b>Φορητή σπαθοσέγα</b>	<b>Οδηγίες χρήσης</b>

**DJR181**  
**DJR182**



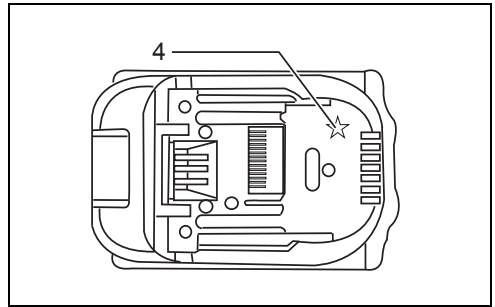
006896





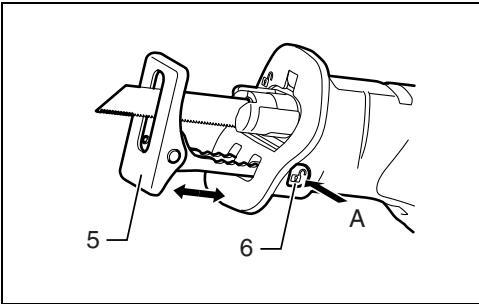
1

012088



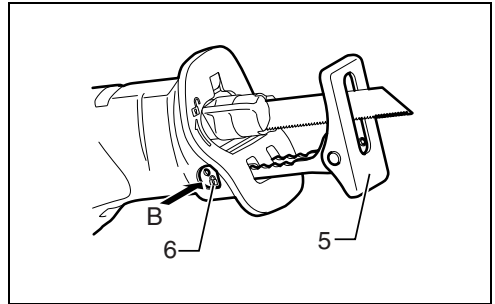
2

012128



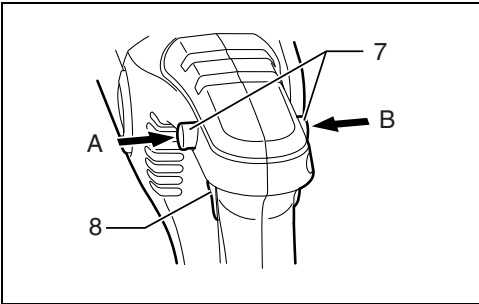
3

006898



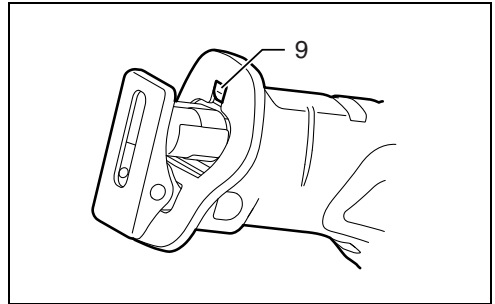
4

006899



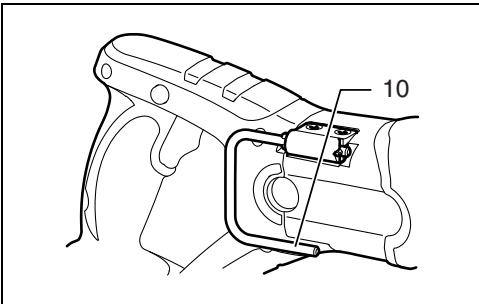
5

006900



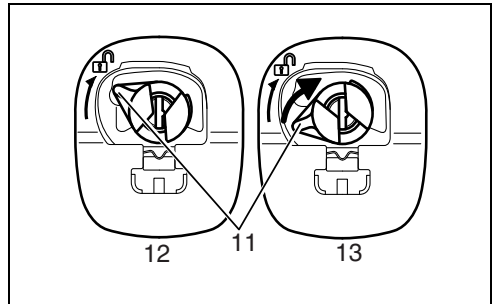
6

006901



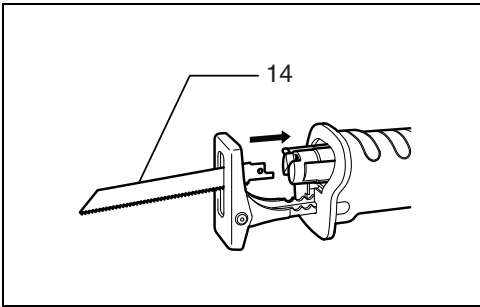
7

006902



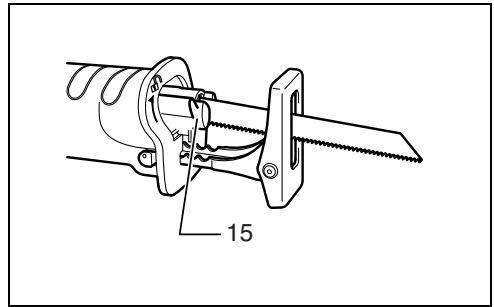
8

005787



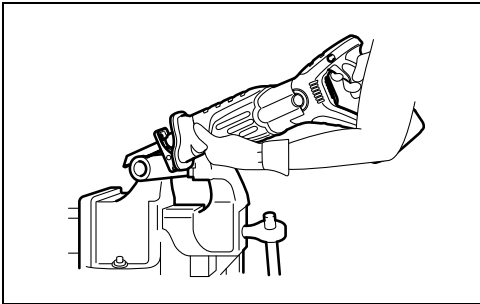
9

005788



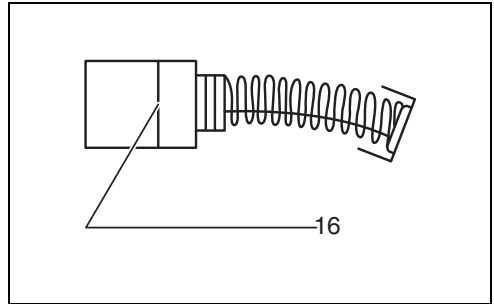
10

006665



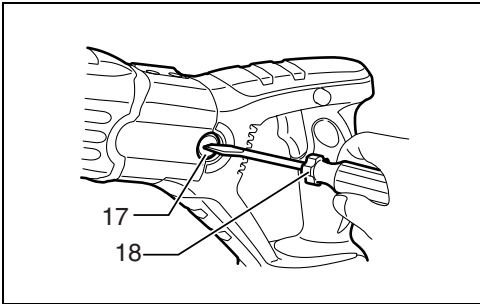
11

006903



12

001145



13

006904

## ENGLISH (Original instructions)

### Explanation of general view

- |                      |                        |                       |
|----------------------|------------------------|-----------------------|
| 1. Red indicator     | 7. Lock-off button     | 13. Fixed position    |
| 2. Button            | 8. Switch trigger      | 14. Blade             |
| 3. Battery cartridge | 9. Lamp                | 15. Blade clamp lever |
| 4. Star marking      | 10. Hook               | 16. Limit mark        |
| 5. Shoe              | 11. Blade clamp sleeve | 17. Brush holder cap  |
| 6. Shoe button       | 12. Released position  | 18. Screwdriver       |

## SPECIFICATIONS

Model	DJR181	DJR182
Length of stroke	28 mm	
Strokes per minute (min <sup>-1</sup> )	0 - 2,900	
Max. cutting capacities	Pipe	130 mm
	Wood	255 mm
Overall length	499 mm	449 mm
Net weight	3.7 kg	3.6 kg
Rated voltage	D.C. 18 V	

- Due to our continuing program of research and development, the specifications herein are subject to change without notice.
- Specifications and battery cartridge may differ from country to country.
- Weight, with battery cartridge, according to EPTA-Procedure 01/2003


### Intended use

ENE020-1

The tool is intended for sawing wood, plastic and ferrous materials.

## General Power Tool Safety Warnings

GEA010-1

 **WARNING** Read all safety warnings and all instructions. Failure to follow the warnings and instructions may result in electric shock, fire and/or serious injury.

## Save all warnings and instructions for future reference.

## CORDLESS RECIPRO SAW SAFETY WARNINGS

GEB048-2

1. **Hold power tool by insulated gripping surfaces, when performing an operation where the cutting accessory may contact hidden wiring.** Cutting accessory contacting a "live" wire may make exposed metal parts of the power tool "live" and could give the operator an electric shock.
2. **Use clamps or another practical way to secure and support the workpiece to a stable platform.** Holding the work by hand or against your body leaves it unstable and may lead to loss of control.
3. **Always use safety glasses or goggles. Ordinary eye or sun glasses are NOT safety glasses.**
4. **Avoid cutting nails. Inspect workpiece for any nails and remove them before operation.**
5. **Do not cut oversize workpiece.**

6. **Check for the proper clearance beyond the workpiece before cutting so that the blade will not strike the floor, workbench, etc.**
7. **Hold the tool firmly.**
8. **Make sure the blade is not contacting the workpiece before the switch is turned on.**
9. **Keep hands away from moving parts.**
10. **Do not leave the tool running. Operate the tool only when hand-held.**
11. **Always switch off and wait for the blade to come to a complete stop before removing the blade from the workpiece.**
12. **Do not touch the blade or the workpiece immediately after operation; they may be extremely hot and could burn your skin.**
13. **Do not operate the tool at no-load unnecessarily.**
14. **Always use the correct dust mask/respirator for the material and application you are working with.**
15. **Some material contains chemicals which may be toxic. Take caution to prevent dust inhalation and skin contact. Follow material supplier safety data.**

## SAVE THESE INSTRUCTIONS.

### WARNING:

**DO NOT** let comfort or familiarity with product (gained from repeated use) replace strict adherence to safety rules for the subject product. **MISUSE** or failure to follow the safety rules stated in this instruction manual may cause serious personal injury.

# IMPORTANT SAFETY INSTRUCTIONS

ENC007-7

## FOR BATTERY CARTRIDGE

1. Before using battery cartridge, read all instructions and cautionary markings on (1) battery charger, (2) battery, and (3) product using battery.
2. Do not disassemble battery cartridge.
3. If operating time has become excessively shorter, stop operating immediately. It may result in a risk of overheating, possible burns and even an explosion.
4. If electrolyte gets into your eyes, rinse them out with clear water and seek medical attention right away. It may result in loss of your eyesight.
5. Do not short the battery cartridge:
  - (1) Do not touch the terminals with any conductive material.
  - (2) Avoid storing battery cartridge in a container with other metal objects such as nails, coins, etc.
  - (3) Do not expose battery cartridge to water or rain.

A battery short can cause a large current flow, overheating, possible burns and even a breakdown.

6. Do not store the tool and battery cartridge in locations where the temperature may reach or exceed 50°C (122°F).
7. Do not incinerate the battery cartridge even if it is severely damaged or is completely worn out. The battery cartridge can explode in a fire.
8. Be careful not to drop or strike battery.
9. Do not use a damaged battery.

## SAVE THESE INSTRUCTIONS.

### Tips for maintaining maximum battery life

1. Charge the battery cartridge before completely discharged.  
Always stop tool operation and charge the battery cartridge when you notice less tool power.
2. Never recharge a fully charged battery cartridge. Overcharging shortens the battery service life.
3. Charge the battery cartridge with room temperature at 10°C - 40°C (50°F - 104°F). Let a hot battery cartridge cool down before charging it.
4. Charge the battery cartridge once in every six months if you do not use it for a long period of time.

## FUNCTIONAL DESCRIPTION

### CAUTION:

- Always be sure that the tool is switched off and the battery cartridge is removed before adjusting or checking function on the tool.

## Installing or removing battery cartridge (Fig. 1)

### ⚠ CAUTION:

- Always switch off the tool before installing or removing of the battery cartridge.
- **Hold the tool and the battery cartridge firmly when installing or removing battery cartridge.** Failure to hold the tool and the battery cartridge firmly may cause them to slip off your hands and result in damage to the tool and battery cartridge and a personal injury.

To remove the battery cartridge, slide it from the tool while sliding the button on the front of the cartridge.

To install the battery cartridge, align the tongue on the battery cartridge with the groove in the housing and slip it into place. Insert it all the way until it locks in place with a little click. If you can see the red indicator on the upper side of the button, it is not locked completely.

### ⚠ CAUTION:

- Always install the battery cartridge fully until the red indicator cannot be seen. If not, it may accidentally fall out of the tool, causing injury to you or someone around you.
- Do not install the battery cartridge forcibly. If the cartridge does not slide in easily, it is not being inserted correctly.

## Battery protection system (Lithium-ion battery with star marking) (Fig. 2)

Lithium-ion batteries with a star marking are equipped with a protection system. This system automatically cuts off power to the tool to extend battery life.

The tool will automatically stop during operation if the tool and/or battery are placed under one of the following conditions:

- Overloaded:

The tool is operated in a manner that causes it to draw an abnormally high current.

In this situation, release the trigger switch on the tool and stop the application that caused the tool to become overloaded. Then pull the trigger switch again to restart.

If the tool does not start, the battery is overheated. In this situation, let the battery cool before pulling the trigger switch again.

- Low battery voltage:

The remaining battery capacity is too low and the tool will not operate. In this situation, remove and recharge the battery.

## Adjusting the shoe (Fig. 3 & 4)

When the blade loses its cutting efficiency in one place along its cutting edge, reposition the shoe to utilize a sharp, unused portion of its cutting edge. This will help to lengthen the life of the blade. To reposition the shoe, push the shoe button in the "A" direction with a click and reposition as shown in the figure which allows you to make five-way adjustment. To secure the shoe, push the shoe button in the "B" direction with a click.

## Switch action (Fig. 5)

### CAUTION:

- Before inserting the battery cartridge into the tool, always check to see that the switch trigger actuates properly and returns to the “OFF” position when released.
- When not operating the tool, depress the lock-off button from A side to lock the switch trigger in the OFF position.

To prevent the switch trigger from accidentally pulled, the lock-off button is provided.

To start the tool, depress the lock-off button from B side and pull the switch trigger.

Tool speed is increased by increasing pressure on the switch trigger. Release the switch trigger to stop. After use, always press in the lock-off button from A side.

## Lighting up the front lamp (Fig. 6) (For DJR181)

### CAUTION:

- Do not look in the light or see the source of light directly.

Pull the switch trigger to light up the lamp. The lamp keeps on lighting while the switch trigger is being pulled. The light automatically goes out 10 - 15 seconds after the switch trigger is released.

### NOTE:

- Use a dry cloth to wipe the dirt off the lens of lamp. Be careful not to scratch the lens of lamp, or it may lower the illumination.

## Hook (Fig. 7) (For DJR181)

### CAUTION:

- Depress the lock-off button from A side to lock the switch trigger in the OFF position. (See the section titled “switch action”.)
- Never hook the tool at high location or on potentially unstable surface.

The hook is convenient for hanging the tool temporarily. To use the hook, simply lift up hook until it snaps into the open position.

When not in use, always lower hook until it snaps into the closed position.

## ASSEMBLY

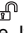
### CAUTION:


- Always be sure that the tool is switched off and the battery cartridge is removed before carrying out any work on the tool.

## Installing or removing the saw blade

### CAUTION:

- Always clean out all chips or foreign matter adhering to the blade, blade clamp and/or slider. Failure to do so may cause insufficient tightening of the blade, resulting in a serious injury.

To install the saw blade, always make sure that the blade clamp lever is in released position  on the insulation cover before inserting the saw blade. If the blade clamp lever is in fixed position, rotate the blade clamp lever in


the direction of the arrow so that it can be locked at the released position . (Fig. 8)

Insert the saw blade into the blade clamp as far as it will go. The blade clamp lever rotates and the saw blade is fixed. Make sure that the saw blade cannot be extracted even though you try to pull it out. (Fig. 9)



### NOTE:

- If you do not insert the saw blade deep enough, the saw blade may be ejected unexpectedly during operation. This can be extremely dangerous.

If the lever is positioned inside the tool, switch on the tool just a second to let the blade out as shown in the figure. Remove the battery cartridge from the tool.

To remove the saw blade, rotate the blade clamp lever in the direction of the arrow fully. The saw blade is removed and the blade clamp lever is fixed at the released position . (Fig. 10)

### NOTE:

- Keep hands and fingers away from the lever during the switching operation. Failure to do so may cause personal injuries.
- If you remove the saw blade without rotating the blade clamp lever fully, the lever may not be locked in the released position . In this case, rotate the blade clamp lever fully again, then make sure that the blade clamp lever locked at the released position .

## OPERATION (Fig. 11)

### CAUTION:

- Always press the shoe firmly against the workpiece during operation. If the shoe is removed or held away from the workpiece during operation, strong vibration and/or twisting will be produced, causing the blade to snap dangerously.
- Always wear gloves to protect your hands from hot flying chips when cutting metal.
- Be sure to always wear suitable eye protection which conforms with current national standards.
- Always use a suitable coolant (cutting oil) when cutting metal. Failure to do so will cause premature blade wear.

Press the shoe firmly against the workpiece. Do not allow the tool to bounce.

Bring the blade into light contact with the workpiece. First, make a pilot groove using a slower speed. Then use a faster speed to continue cutting.

## MAINTENANCE

### CAUTION:

- Always be sure that the tool is switched off and the battery cartridge is removed before attempting to perform inspection or maintenance.
- Never use gasoline, benzine, thinner, alcohol or the like. Discoloration, deformation or cracks may result.

## Replacing carbon brushes (Fig. 12)

Remove and check the carbon brushes regularly. Replace when they wear down to the limit mark. Keep the carbon brushes clean and free to slip in the holders. Both carbon brushes should be replaced at the same time. Use only identical carbon brushes.

Use a screwdriver to remove the brush holder caps. Take out the worn carbon brushes, insert the new ones and secure the brush holder caps. **(Fig. 13)**  
To maintain product SAFETY and RELIABILITY, repairs, any other maintenance or adjustment should be performed by Makita Authorized Service Centers, always using Makita replacement parts.

## OPTIONAL ACCESSORIES

### ⚠ CAUTION:

- These accessories or attachments are recommended for use with your Makita tool specified in this manual. The use of any other accessories or attachments might present a risk of injury to persons. Only use accessory or attachment for its stated purpose.

If you need any assistance for more details regarding these accessories, ask your local Makita Service Center.

- Recipro saw blades
- Makita genuine battery and charger
- Plastic carrying case

### NOTE:

- Some items in the list may be included in the tool package as standard accessories. They may differ from country to country.

### Noise ENG905-1

The typical A-weighted noise level determined according to EN60745:

#### Model DJR181

Sound pressure level ( $L_{pA}$ ): 86 dB (A)  
Sound power level ( $L_{WA}$ ): 97 dB (A)  
Uncertainty (K): 3 dB (A)

#### Model DJR182

Sound pressure level ( $L_{pA}$ ): 85 dB (A)  
Sound power level ( $L_{WA}$ ): 96 dB (A)  
Uncertainty (K): 3 dB (A)

**Wear ear protection.**

### Vibration ENG900-1

The vibration total value (tri-axial vector sum) determined according to EN60745:

#### Model DJR181

Work mode: cutting boards  
Vibration emission ( $a_{h,B}$ ): 12.5 m/s<sup>2</sup>  
Uncertainty (K): 2.0 m/s<sup>2</sup>

Work mode: cutting wooden beams  
Vibration emission ( $a_{h,WB}$ ): 14.0 m/s<sup>2</sup>  
Uncertainty (K): 1.5 m/s<sup>2</sup>

#### Model DJR182

Work mode: cutting boards  
Vibration emission ( $a_{h,B}$ ): 14.5 m/s<sup>2</sup>  
Uncertainty (K): 1.5 m/s<sup>2</sup>

Work mode: cutting wooden beams  
Vibration emission ( $a_{h,WB}$ ): 12.5 m/s<sup>2</sup>  
Uncertainty (K): 1.5 m/s<sup>2</sup>

ENG901-1

- The declared vibration emission value has been measured in accordance with the standard test method and may be used for comparing one tool with another.
- The declared vibration emission value may also be used in a preliminary assessment of exposure.

### ⚠ WARNING:

- The vibration emission during actual use of the power tool can differ from the declared emission value depending on the ways in which the tool is used.
- Be sure to identify safety measures to protect the operator that are based on an estimation of exposure in the actual conditions of use (taking account of all parts of the operating cycle such as the times when the tool is switched off and when it is running idle in addition to the trigger time).

### For European countries only

ENH101-17

### EC Declaration of Conformity

#### Makita declares that the following Machine(s):

Designation of Machine:

Cordless Recipro Saw

Model No./ Type: DJR181, DJR182

#### Conforms to the following European Directives:

2006/42/EC

They are manufactured in accordance with the following Standard or standardized documents:

EN60745

The Technical file in accordance with 2006/42/EC is available from:

Makita, Jan-Baptist Vinkstraat 2, 3070, Belgium

31. 12. 2013



Yasushi Fukaya  
Director

Makita, Jan-Baptist Vinkstraat 2, 3070, Belgium

## NEDERLANDS (Originele instructies)

### Verklaring van het onderdelenoverzicht

1. Rode deel	7. Uit-vergrendelknop	13. Vergrendelde stand
2. Knop	8. Aan/uit-schakelaar	14. Zaagblad
3. Accu	9. Lamp	15. Zaagbladklembus
4. Ster-merkteken	10. Haak	16. Slijtgrensmarkering
5. Schoen	11. Zaagbladklembus	17. Koolborsteldop
6. Schoenknop	12. Ontgrendelde stand	18. Schroevendraaier

## TECHNISCHE GEGEVENS

Model	DJR181	DJR182
Slaglengte	28 mm	
Aantal slagen per minuut (min <sup>-1</sup> )	0 - 2.900	
Max. zaagdikte	Pijp	130 mm
	Hout	255 mm
Totale lengte	499 mm	449 mm
Nettogewicht	3,7 kg	3,6 kg
Nominale spanning	18 V gelijkstroom	

- Als gevolg van ons doorlopende onderzoeks- en ontwikkelingsprogramma, zijn de technische gegevens van dit gereedschap onderhevig aan veranderingen zonder voorafgaande kennisgeving.
- Specificaties en accu's kunnen van land tot land verschillen.
- Gewicht, inclusief de accu, volgens de EPTA-procedure 01/2003

### Gebruiksdoelinden

ENE020-1

Dit gereedschap is bedoeld voor het zagen van hout, kunststof en ferro-materialen.

## Algemene veiligheidswaarschuwingen voor elektrisch gereedschap

GEA010-1

### WAARSCHUWING Lees alle

veiligheidswaarschuwingen en alle instructies. Het niet volgen van de waarschuwingen en instructies kan leiden tot elektrische schokken, brand en/of ernstig letsel.

## Bewaar alle waarschuwingen en instructies om in de toekomst te kunnen raadplegen.

## VEILIGHEIDSWAARSCHUWINGEN SPECIFIEK VOOR EEN ACCU-RECIPROZAAG

GEB048-2

1. Houd het elektrisch gereedschap vast aan het geïsoleerde oppervlak van de handgrepen wanneer u werkt op plaatsen waar het booraccessoire met verborgen bedrading in aanraking kan komen. Wanneer het bitaccessoire in aanraking komen met onder spanning staande draden, zullen de niet-geïsoleerde metalen delen van het gereedschap onder spanning komen te staan zodat de gebruiker een elektrische schok kan krijgen.
2. Gebruik klemmen of een andere praktische methode om het werkstuk op een stabiele ondergrond te bevestigen en ondersteunen. Als u het werkstuk in uw hand of tegen uw lichaam geklemd houdt, is het onvoldoende stabiel en kunt u de controle erover verliezen.
3. Gebruik altijd een veiligheidsbril. Een gewone bril of een zonnebril is GEEN veiligheidsbril.
4. Voorkom dat u met de bit spijkers raakt. Inspecteer het werkstuk op spijkers en verwijder deze alvorens erin te zagen.
5. Zaag geen te grote werkstukken.
6. Controleer op voldoende vrije speling rondom het werkstuk alvorens te zagen, zodat het zaagblad de vloer, werkbank, enz., niet raakt.
7. Houd het gereedschap stevig vast.
8. Zorg ervoor dat het zaagblad het werkstuk niet raakt voordat u het gereedschap hebt ingeschakeld.
9. Houd uw handen uit de buurt van bewegende delen.
10. Laat het gereedschap niet ingeschakeld liggen. Bedien het gereedschap alleen wanneer u het vasthoudt.
11. Schakel het gereedschap uit en wacht altijd tot het zaagblad volledig tot stilstand is gekomen voordat u het zaagblad uit het werkstuk verwijdert.
12. Raak het zaagblad en het werkstuk niet onmiddellijk na gebruik aan. Zij kunnen bijzonder heet zijn en brandwonden op uw huid veroorzaken.
13. Laat het gereedschap niet onnodig onbelast draaien.
14. Gebruik altijd het juiste stofmasker/ademhalingsapparaat voor het materiaal en de toepassing waarmee u werkt.
15. Sommige materialen bevatten chemische stoffen die giftig kunnen zijn. Neem voorzorgsmaatregelen tegen het inademen van stof en contact met de huid. Volg de



veiligheidsinstructies van de leverancier van het materiaal op.

## BEWAAR DEZE INSTRUCTIES.

### WAARSCHUWING:

Laat u NIET misleiden door een vals gevoel van comfort en bekendheid met het gereedschap (na veelvuldig gebruik) en neem alle veiligheidsvoorschriften van het betreffende product altijd strikt in acht. VERKEERD GEBRUIK of het niet volgen van de veiligheidsinstructies in deze gebruiksaanwijzing kan leiden tot ernstig persoonlijk letsel.

## BELANGRIJKE VEILIGHEIDSLINSTRUCTIES ENC007-7

### VOOR ACCU'S

1. Alvorens de accu in gebruik te nemen, leest u eerst alle instructies en waarschuwingsopdrachten op (1) de acculader, (2) de accu en (3) het apparaat waarin de accu wordt aangebracht.
2. Haal de accu niet uit elkaar.
3. Als de gebruikstijd aanzienlijk korter is geworden, stopt u onmiddellijk met het gebruik. Anders kan dit leiden tot kans op oververhitting, mogelijke brandwonden en zelfs een explosie.
4. Als de elektrolyt in uw ogen komt, wast u deze uit met schoon water en raadpleegt u onmiddellijk een arts. Dit kan leiden tot verlies van gezichtsvermogen.
5. Sluit de accu niet kort:
  - (1) Raak de accupolen niet aan met enig geleidend materiaal.
  - (2) Bewaar de accu niet op een plaats waar deze in aanraking kan komen met andere metalen voorwerpen, zoals spijkers, munten, enz.
  - (3) Stel de accu niet bloot aan water of regen. Kortsluiting van de accu kan leiden tot een hoge stroomsterkte, oververhitting, mogelijke brandwonden en zelfs een defect.
6. Bewaar het gereedschap en de accu niet op plaatsen waar de temperatuur kan oplopen tot 50 °C of hoger.
7. Werp de accu niet in een vuur, zelfs niet als deze al ernstig beschadigd of helemaal versleten is. De accu kan in een vuur exploderen.
8. Wees voorzichtig dat u de accu niet laat vallen of ergens tegenaan stoot.
9. Gebruik nooit een beschadigde accu.

## BEWAAR DEZE INSTRUCTIES.

### Tips voor een lange levensduur van de accu

1. Laad de accu op voordat deze volledig leeg is. Wanneer u merkt dat het gereedschap minder vermogen heeft, stopt u met het gebruik ervan en laadt u eerst de accu op.

2. Laad nooit een volledig opgeladen accu op. Te lang opladen verkort de levensduur van de accu.
3. Laad de accu op bij een omgevingstemperatuur van 10 °C tot 40 °C. Laat een warme accu eerst afkoelen voordat u deze oplaadt.
4. Laad de accu ieder half jaar op als u deze gedurende een lange tijd niet gebruikt.

## BESCHRIJVING VAN DE FUNCTIES

### LET OP:

- Controleer altijd of het gereedschap is uitgeschakeld en de accu is verwijderd alvorens de functies van het gereedschap te controleren of af te stellen.

### De accu aanbrengen en verwijderen (zie afb. 1)

#### LET OP:

- Schakel het gereedschap altijd uit voordat u de accu aanbrengt of verwijdert.
- Houd het gereedschap en de accu stevig vast tijdens het aanbrengen of verwijderen van de accu. Als u het gereedschap en de accu niet stevig vasthoudt, kunnen deze uit uw handen glijpen en beschadigd raken, of kan persoonlijk letsel worden veroorzaakt.

Om de accu te verwijderen verschuift u de knop aan de voorkant van de accu en schuift u tegelijkertijd de accu eraf.

Om de accu aan te brengen, lijnt u de lip op de accu uit met de groef in de behuizing en duwt u de accu op zijn plaats. Steek de accu zo ver mogelijk erin tot u een klinkgeluid hoort. Als u het rode deel aan de bovenkant van de knop kunt zien, is de accu niet goed aangebracht.

#### LET OP:

- Breng de accu altijd helemaal aan totdat het rode deel niet meer zichtbaar is. Als u dit niet doet, kan de accu per ongeluk uit het gereedschap vallen en u of anderen in uw omgeving verwonden.
- Breng de accu niet met kracht aan. Als de accu niet gemakkelijk erin kan worden geschoven, wordt deze niet goed aangebracht.

### Accubeveiligingssysteem (lithiumionaccu met een ster-merkteken) (zie afb. 2)

Lithiumionaccu's met een ster-merkteken zijn uitgerust met een beveiligingssysteem. Dit systeem schakelt automatisch de voeding naar het gereedschap uit om de levensduur van de accu te verlengen. Het gereedschap zal tijdens gebruik automatisch stoppen wanneer het gereedschap en/of de accu zich in een van de volgende omstandigheden bevinden:

- Overbelasting:

Het gereedschap wordt gebruikt op een manier die ertoe leidt dat een abnormaal hoge stroomsterkte uit de accu wordt getrokken.

Laat in die situatie de aan/uit-schakelaar van het gereedschap los en stop het gebruik dat ertoe leidde dat het gereedschap overbelast werd. Knijp daarna opnieuw de aan/uit-schakelaar in om het gereedschap weer in te schakelen.

Als het gereedschap niet wordt ingeschakeld, is de accu oververhit. In die situatie laat u de accu eerst afkoelen voordat u opnieuw de aan/uit-schakelaar inknijpt.

- Lage accuspanning:  
De resterende acculading is te laag en het gereedschap wordt niet ingeschakeld. Verwijder in die situatie de accu en laad hem op.

## De schoen bijstellen (zie afb. 3 en 4)

Wanneer een gedeelte van de snede van het zaagblad niet meer goed snijdt, dient u de positie van het zaagblad bij te stellen om een ongebruikt, scherp gedeelte van de snede te gebruiken. Het zaagblad zal dan langer meegaan. Om de schoen bij te stellen, duwt u eerst de schoenknoop in de richting "A" tot u een klikgeluid hoort, en stelt u de schoen bij in een van de vijf mogelijke standen. Vervolgens vergrendelt u de schoen weer door de schoenknoop in de richting "B" te duwen tot u een klikgeluid hoort.

## In- en uitschakelen (zie afb. 5)

### LET OP:

- Controleer altijd, voordat u de accu in het gereedschap steekt, of de aan/uit-schakelaar op de juiste manier schakelt en weer terugkeert naar de uit-stand nadat deze is losgelaten.
- Wanneer u het gereedschap niet gebruikt, drukt u op de uit-vergrendelknop vanaf de A-kant om de aan/uit-schakelaar te vergrendelen in de uit-stand.

Om te voorkomen dat de aan/uit-schakelaar per ongeluk wordt bediend, is de uit-vergrendelknop aangebracht.

Om het gereedschap te starten, drukt u vanaf de B-kant op de uit-vergrendelknop in en knijpt u de aan/uit-schakelaar in.

De draaisnelheid van het gereedschap neemt toe naarmate u meer druk uitoefent op de aan/uit-schakelaar. Laat de aan/uit-schakelaar los om het gereedschap te stoppen. Na gebruik, vergeet u niet vanaf de A-kant op de uit-vergrendelknop te drukken.

## De lamp op de voorkant inschakelen (zie afb. 6) (Voor model DJR181)

### LET OP:

- Kijk niet rechtstreeks in het licht of naar de bron van de lamp.

Knijp de aan/uit-schakelaar in om de lamp op de voorkant in te schakelen. De lamp blijft branden zolang u de aan/uit-schakelaar ingeknepen houdt. De lamp gaat 10 tot 15 seconden nadat de aan/uit-schakelaar is losgelaten automatisch uit.

### OPMERKING:

- Gebruik een doek om het vuil van de lens van de lamp te vegen. Wees voorzichtig de lens van de lamp niet te bekrassen om de lichtopbrengst niet te verlagen.

## Haak (zie afb. 7) (Voor model DJR181)

### LET OP:

- Druk op de uit-vergrendelknop vanaf de A-kant om de aan/uit-schakelaar te vergrendelen in de uit-stand. (Zie het tekstdeel getiteld "In- en uitschakelen".)

- Hang het gereedschap niet op aan de haak op een hoge plaats of op een mogelijk instabiele ondergrond. De haak is handig om het gereedschap tijdelijk aan op te hangen.

Hiermee draait u de haak gewoon omhoog totdat deze vastklikt in de geopende stand.

Als u de haak niet gebruikt, vouwt u deze weer omlaag totdat deze vastklikt in de gesloten stand.

## ONDERDELEN AANBRENGEN/ VERWIJDEREN



### LET OP:

- Controleer altijd of het gereedschap is uitgeschakeld en de accu is verwijderd alvorens enige werkzaamheden aan het gereedschap te verrichten.

## Het zaagblad aanbrengen en verwijderen

### LET OP:

- Verwijder altijd eerst alle houtsnippers en vreemde stoffen die aan het zaagblad, de zaagbladklem en/of de schuivende delen kleven. Als u dat niet doet is het mogelijk dat het zaagblad onvoldoende wordt vastgeklemd, wat kan leiden tot ernstig persoonlijk letsel.

Om een zaagblad aan te brengen, zorgt u ervoor dat de zaagbladklembus in de ontgrendelde stand  op de behuizing staat alvorens een nieuw zaagblad in te steken. Als de zaagbladklembus in de vergrendelde stand staat, draait u de zaagbladklembus in de richting van de pijl zodat deze in de ontgrendelde stand  wordt gezet. (zie afb. 8)


Steek het zaagblad zo ver mogelijk in de zaagbladklem. De zaagbladklembus draait en het zaagblad wordt vastgezet. Controleer dat het zaagblad er niet uit getrokken kan worden, ook niet als u er aan trekt. (zie afb. 9)

### OPMERKING:

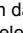

- Als u het zaagblad er niet diep genoeg insteekt, kan het zaagblad er onverwachts uit geworpen worden tijdens gebruik. Dit kan uitermate gevaarlijk zijn.

Als de hendel in het gereedschap geplaatst is, schakelt u het gereedschap kortstondig in om het zaagblad eruit te laten komen, zoals aangegeven in de afbeelding.

Haal de accu van het gereedschap af.

Om het zaagblad te verwijderen, draait u de zaagbladklembus helemaal in de richting van de pijl. Het zaagblad kan worden verwijderd en de zaagbladklembus staat vast in de ontgrendelde stand . (zie afb. 10)

### OPMERKING:

- Houd uw handen en vingers uit de buurt van de hendel tijdens het inschakelen. Als u dat niet doet, kan persoonlijk letsel ontstaan.
- Als u het zaagblad verwijdert zonder de zaagbladklembus geheel te draaien, wordt deze niet vastgezet in de ontgrendelde stand . In dat geval draait u nogmaals de zaagbladklembus helemaal en controleert u dat de zaagbladklembus vaststaat in de ontgrendelde stand .

# BEDIENING (zie afb. 11)

## LET OP:

- Druk tijdens gebruik de schoen altijd stevig tegen het werkstuk. Als de schoen is verwijderd of tijdens het gebruik op afstand van het werkstuk wordt gehouden, zullen sterke trillingen en/of draaibewegingen het gevolg zijn waardoor het zaagblad op een gevaarlijke manier kan afbreken.
- Draag tijdens het zagen van metaal altijd handschoenen om uw handen te beschermen tegen rondvliegende warme deeltjes.
- Zorg ervoor dat u altijd geschikte oogbescherming draagt die voldoet aan de meest recente richtlijnen in uw land.
- Gebruik tijdens het zagen van metaal altijd een geschikte koelvloeistof (zaagolie). Als u dat niet doet, zal het zaagblad voortijdig slijten.

Druk de schoen stevig tegen het werkstuk. Laat het gereedschap niet springen.

Plaats het zaagblad op het werkstuk en druk er licht tegen. Maak eerst een geleidingssleuf met behulp van een lage zaagsnelheid. Gebruik daarna een hogere snelheid om verder te zagen.

# ONDERHOUD

## LET OP:

- Zorg er altijd voor dat de machine is uitgeschakeld en de accu is verwijderd, voordat u een inspectie of onderhoud uitvoert.
- Gebruik nooit benzine, wasbenzine, thinner, alcohol, enz. Dit kan leiden tot verkleuren, vervormen of barsten.

## De koolborstels vervangen (zie afb. 12)

Verwijder en controleer de koolborstels regelmatig. Vervang deze wanneer ze tot aan de slijtgrensmarkering zijn afgesleten. Houd de koolborstels schoon en zorg ervoor dat ze vrij kunnen bewegen in de houders. Beide koolborstels dienen tegelijkertijd te worden vervangen. Gebruik alleen identieke koolborstels. Gebruik een schroevendraaier om de koolborsteldoppen te verwijderen. Haal de versleten koolborstels eruit, plaats de nieuwe erin, en zet de koolborsteldoppen goed vast. (zie afb. 13)

Om de VEILIGHEID en BETROUWBAARHEID van het gereedschap te handhaven, dienen alle reparaties, onderhoud en afstellingen te worden uitgevoerd door een erkend Makita-servicecentrum, en altijd met gebruikmaking van originele Makita-ervangingsonderdelen.

# VERKRIJGBARE ACCESSOIRES

## ⚠ LET OP:

- Deze accessoires of hulpstukken worden aanbevolen voor gebruik met het Makita-gereedschap dat in deze gebruiksaanwijzing wordt beschreven. Het gebruik van andere accessoires of hulpstukken kan gevaar voor persoonlijk letsel opleveren. Gebruik de accessoires of hulpstukken uitsluitend voor de aangegeven gebruiksdoeleinden.

Mocht u meer informatie willen hebben over deze accessoires, dan kunt u contact opnemen met uw plaatselijke Makita-servicecentrum.

- Recipro-zaagbladen
- Originele Makita-accu en -lader
- Kunststoffen draagdoos

## OPMERKING:

- Sommige items op de lijst kunnen zijn inbegrepen in de doos van het gereedschap als standaard toebehoren. Zij kunnen van land tot land verschillen.

## Geluid

ENG905-1

Het standaard A-gewogen geluidsniveau zoals vastgesteld conform EN60745:

### Model DJR181

Geluidsdrukkniveau ( $L_{pA}$ ): 86 dB (A)  
Geluidsvermogeniveau ( $L_{wA}$ ): 97 dB (A)  
Onzekerheid (K): 3 dB (A)

### Model DJR182

Geluidsdrukkniveau ( $L_{pA}$ ): 85 dB (A)  
Geluidsvermogeniveau ( $L_{wA}$ ): 96 dB (A)  
Onzekerheid (K): 3 dB (A)

### Draag gehoorbescherming.

## Trilling

ENG900-1

De totale trilwaarde (triaxiale vectorsom) zoals vastgesteld volgens EN60745:

### Model DJR181

Gebruikstoepassing: zagen van platen  
Trillingsemisatie ( $a_{h,B}$ ): 12,5 m/s<sup>2</sup>  
Onzekerheid (K): 2,0 m/s<sup>2</sup>

Gebruikstoepassing: zagen van houden balken  
Trillingsemisatie ( $a_{h,WB}$ ): 14,0 m/s<sup>2</sup>  
Onzekerheid (K): 1,5 m/s<sup>2</sup>

### Model DJR182

Gebruikstoepassing: zagen van platen  
Trillingsemisatie ( $a_{h,B}$ ): 14,5 m/s<sup>2</sup>  
Onzekerheid (K): 1,5 m/s<sup>2</sup>

Gebruikstoepassing: zagen van houden balken  
Trillingsemisatie ( $a_{h,WB}$ ): 12,5 m/s<sup>2</sup>  
Onzekerheid (K): 1,5 m/s<sup>2</sup>

ENG901-1

- De opgegeven trillingsemisatiewaarde is gemeten volgens de standaardtestmethode en kan worden gebruikt om dit gereedschap te vergelijken met andere gereedschappen.
- De opgegeven trillingsemisatiewaarde kan ook worden gebruikt voor een beoordeling vooraf van de blootstelling.

## ⚠ WAARSCHUWING:

- De trillingsemisatie tijdens het gebruik van het elektrisch gereedschap in de praktijk kan verschillen van de opgegeven trillingsemisatiewaarde afhankelijk van de manier waarop het gereedschap wordt gebruikt.
- Zorg ervoor dat veiligheidsmaatregelen worden getroffen ter bescherming van de operator die zijn gebaseerd op een schatting van de blootstelling onder praktijkomstandigheden (rekening houdend met alle fasen van de bedrijfscyclus, zoals de tijdsduur gedurende welke het gereedschap is uitgeschakeld en stationair draait, naast de ingeschakelde tijdsduur).

**Alleen voor Europese landen**

ENH101-17

**EU-verklaring van conformiteit**

**Makita verklaart dat de volgende machine(s):**

Aanduiding van de machine:

Accu-reciprozaag

Modelnr./Type: DJR181 en DJR182

**Voldoen aan de volgende Europese richtlijnen:**

2006/42/EG

Deze zijn gefabriceerd in overeenstemming met de volgende normen of genormaliseerde documenten:

EN60745

Het technische bestand volgens 2006/42/EG is

verkrijgbaar bij:

Makita, Jan-Baptist Vinkstraat 2, 3070, België

31. 12. 2013



Yasushi Fukaya

Directeur

Makita, Jan-Baptist Vinkstraat 2, 3070, België

**Makita** Jan-Baptist Vinkstraat 2, 3070, Belgium  
**Makita Corporation** Anjo, Aichi, Japan

885249A998

[www.makita.com](http://www.makita.com)

ALA